

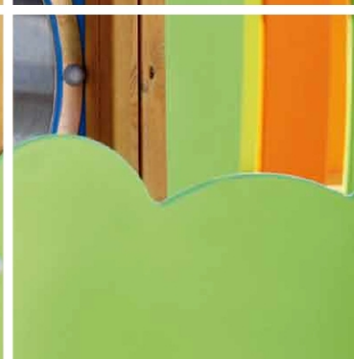
Bezpieczne



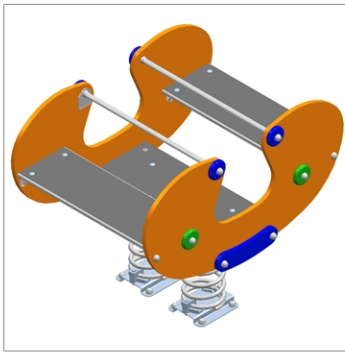
Solidne konstrukcje



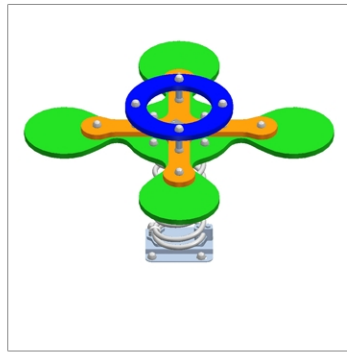
Certyfikaty  
Atesty



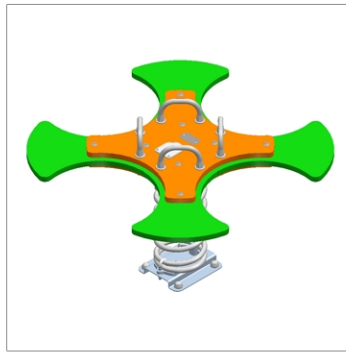
# COMIC



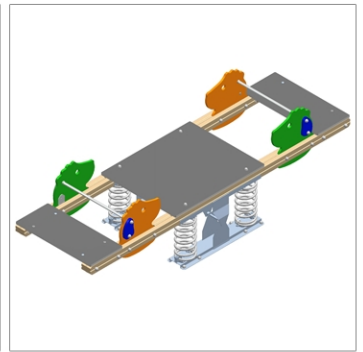
B10A



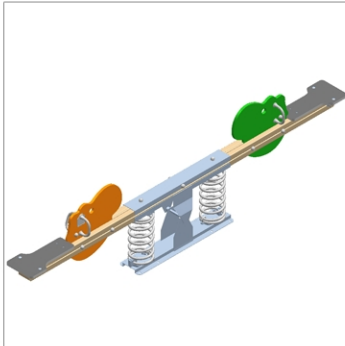
B20A



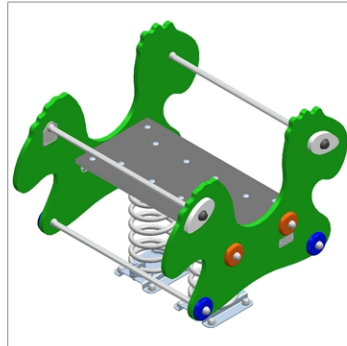
B21A



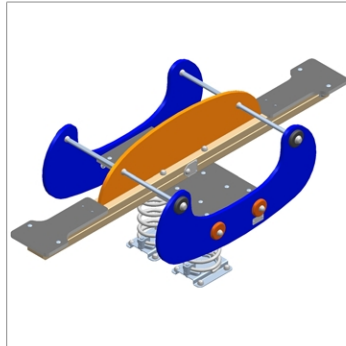
B30A



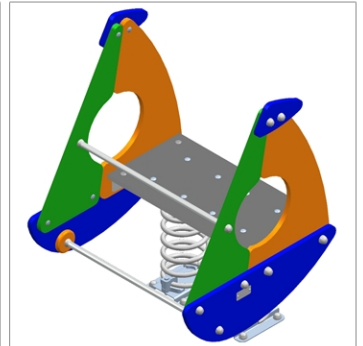
B30B



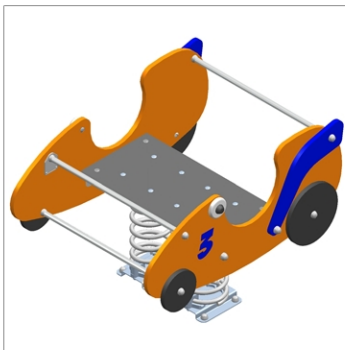
B30C



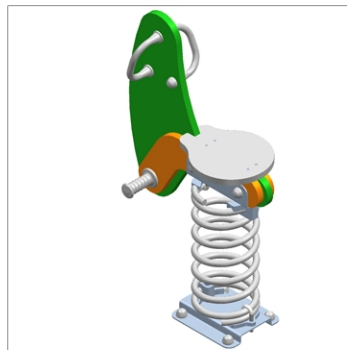
B40B



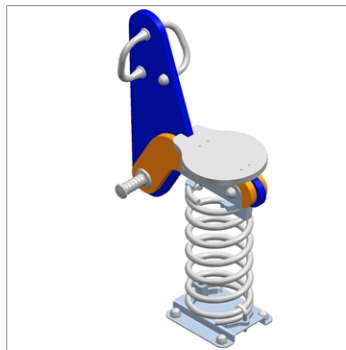
B50A



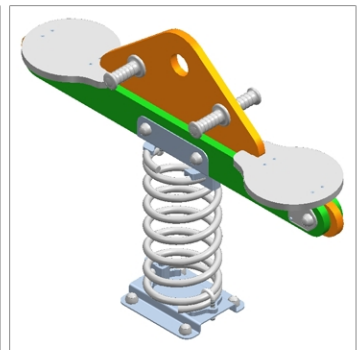
B60A



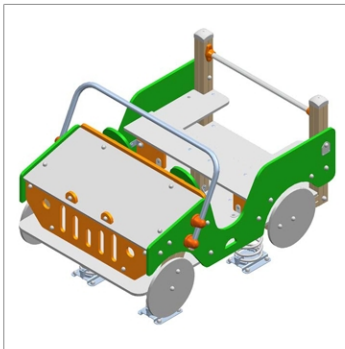
JE-100



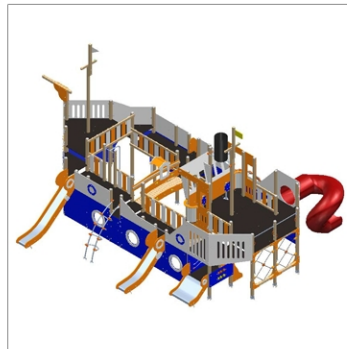
B100A



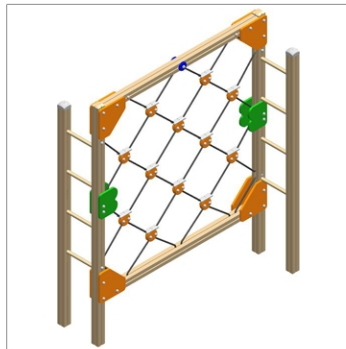
B106A



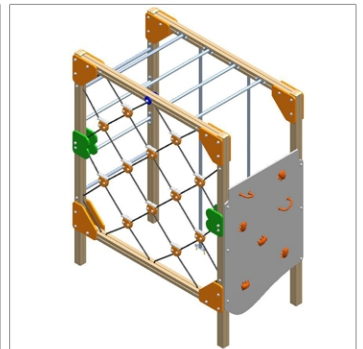
B110A



BU03



C101



C103



C201



C201D



C204 P



C204 D

# COMIC



C206 D



C210 D



C211 D



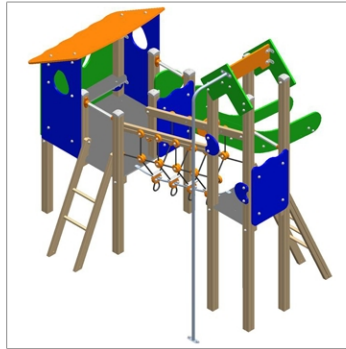
C212



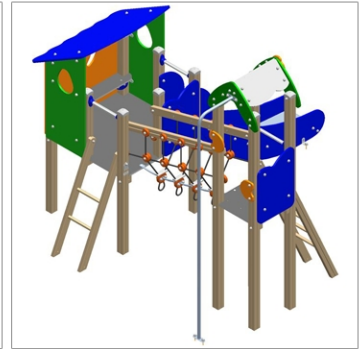
C213



C213 D



C214



C214 D



C215



C215 D



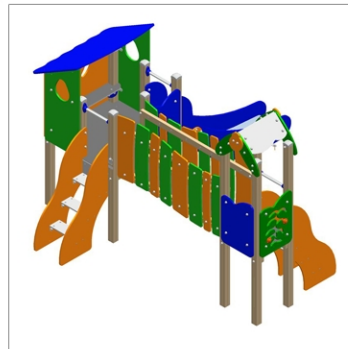
C216



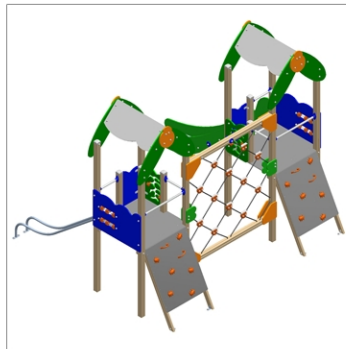
C216 D



C217



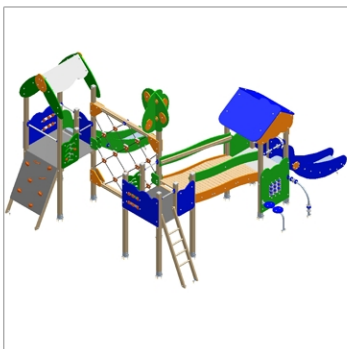
C217 D



C301 D



C302 D



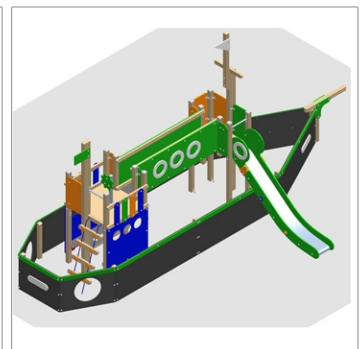
C303 D



C304 D



C304 E



C305 A

# COMIC



C400 D



C602 B



C602 D



CT002



CT003



CT004



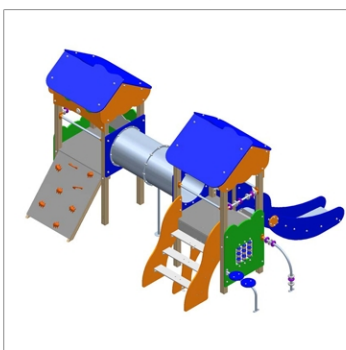
C214



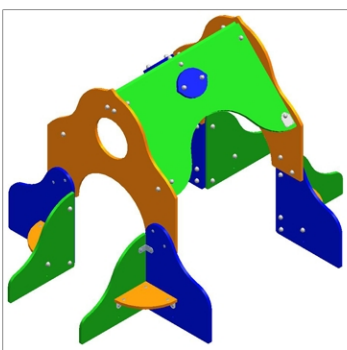
CT006



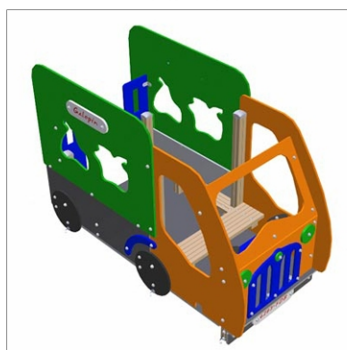
CT007



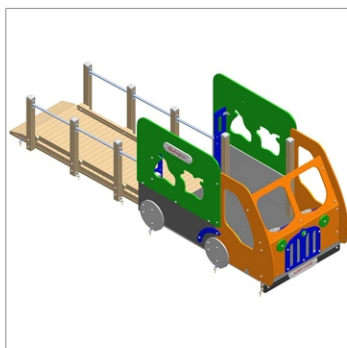
CT008



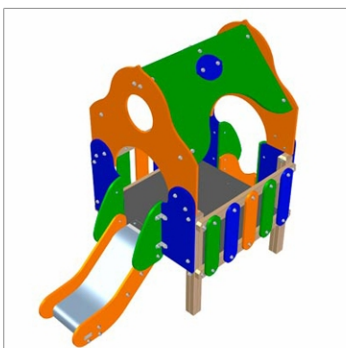
F304A



F305



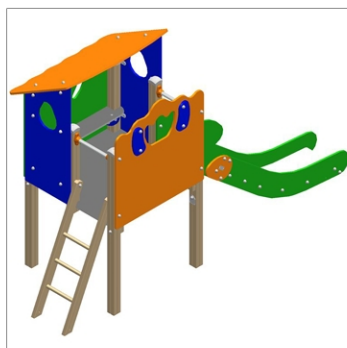
F305A



F306A



F307D



F308



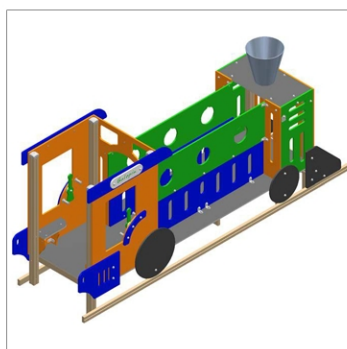
F308D



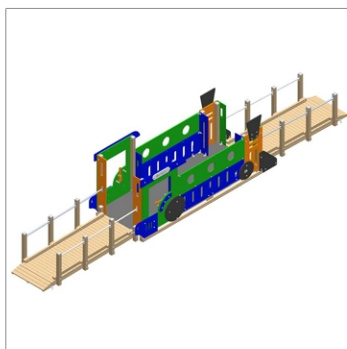
F309



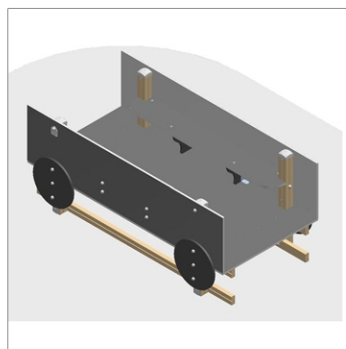
F311



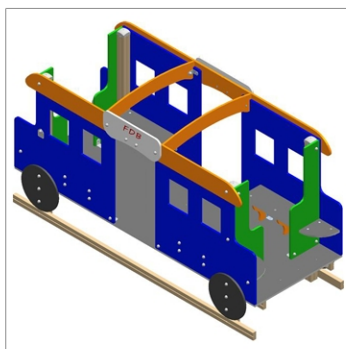
F400A



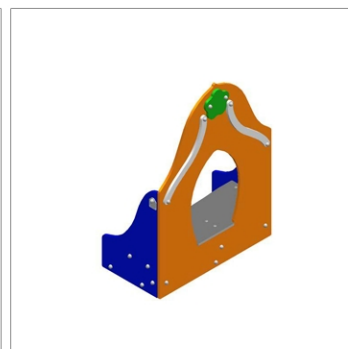
F400A-A



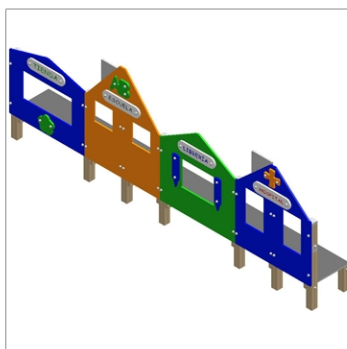
F400B



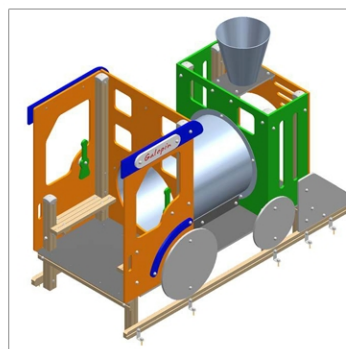
F400C



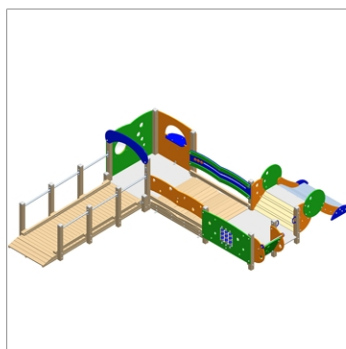
F401



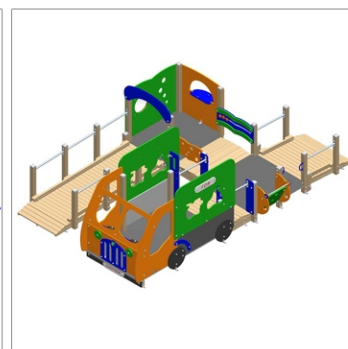
F402



F403



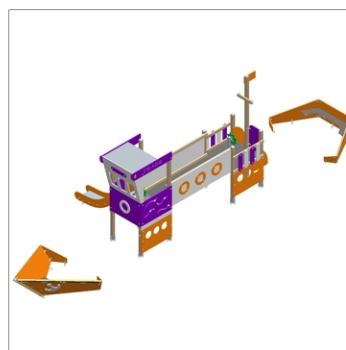
F404A



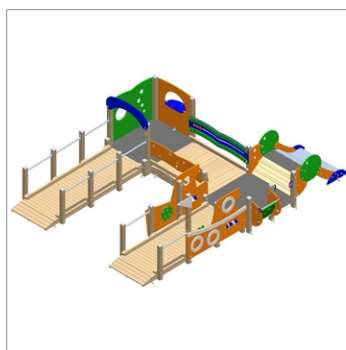
F405A



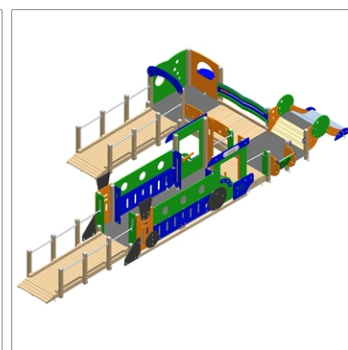
F502



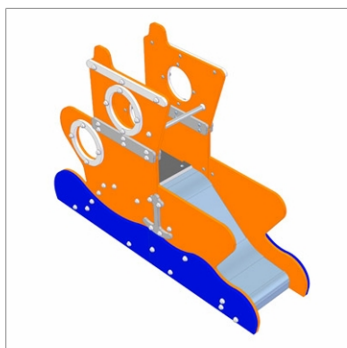
F503



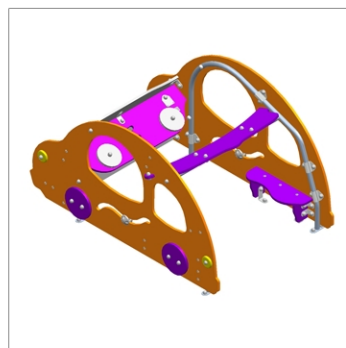
F705Ai



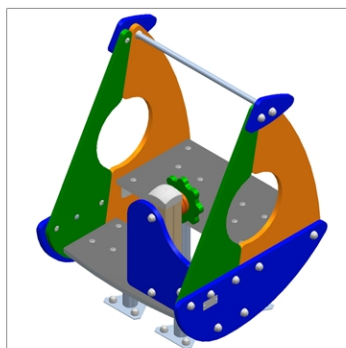
F805Ai



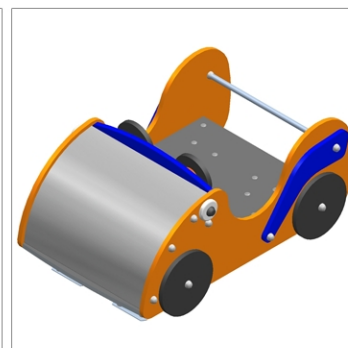
FAC05



FAC07



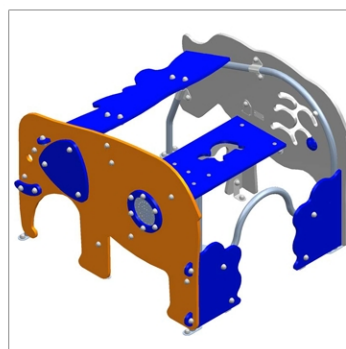
FAC08T



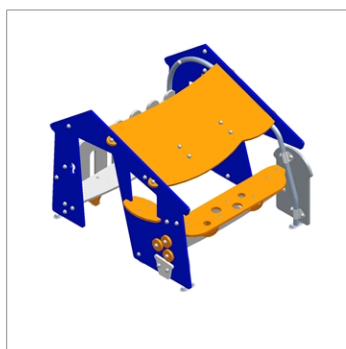
FAC09T



FAC11



FAC12



FAC13

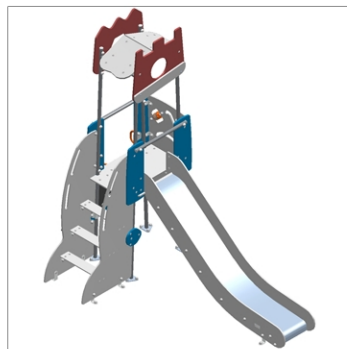


FAC20

# COMIC



FAC10



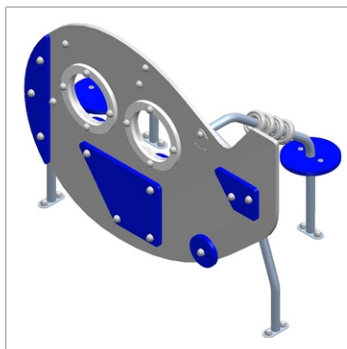
FAC16



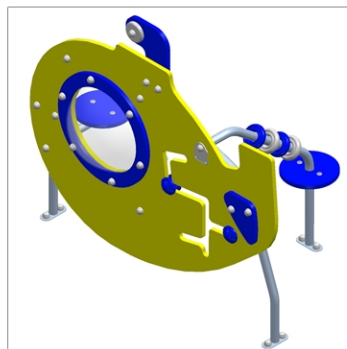
FAC17



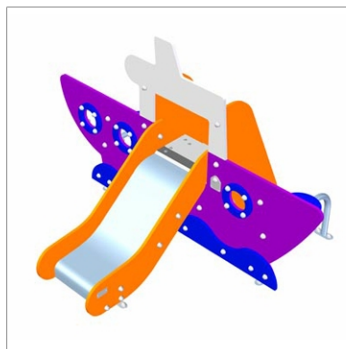
FAC14



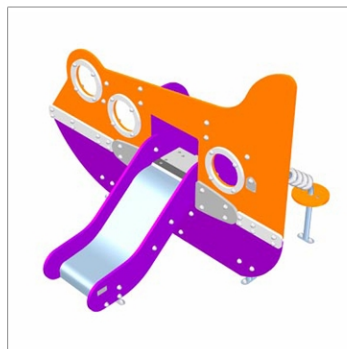
FAC14



FAC15



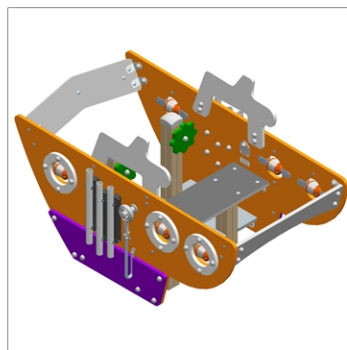
FAC19



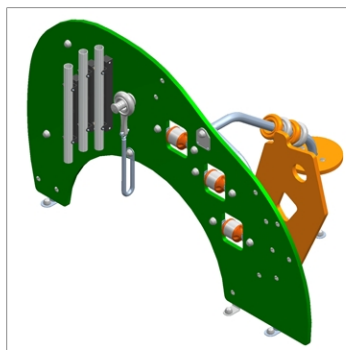
FAC21



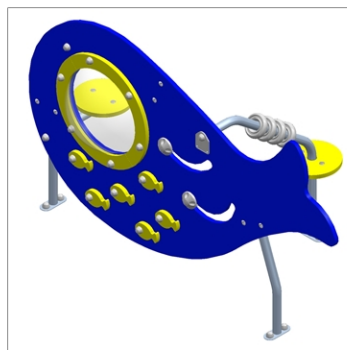
FAC22



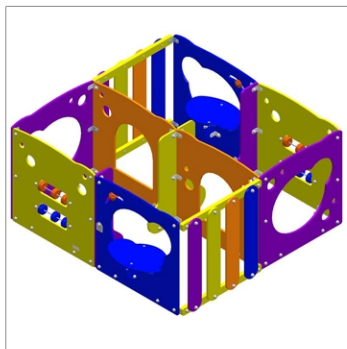
FAC23T



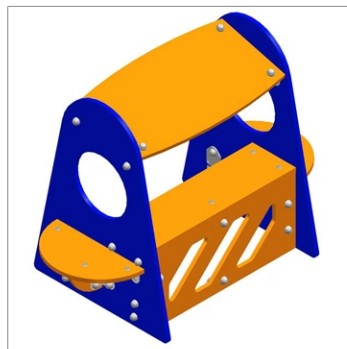
FAC24



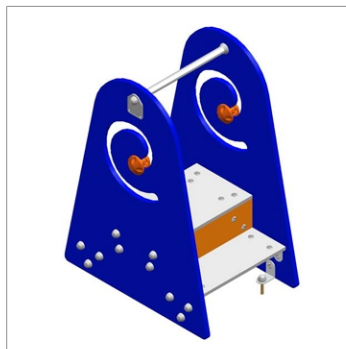
PAC04



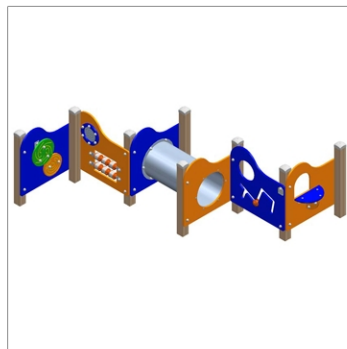
PEZ01



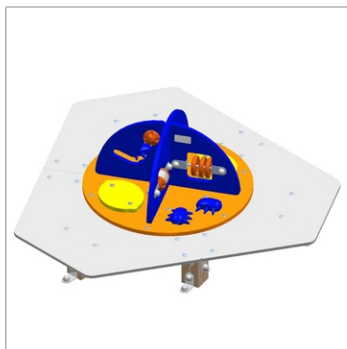
PEZ02



PEZ03



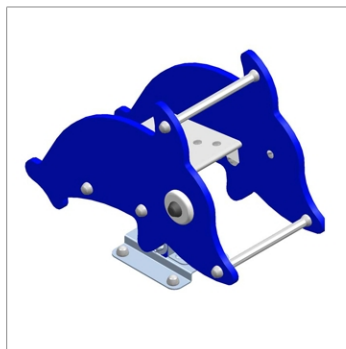
PEZ04



PEZ06



PEZ07



PLA005

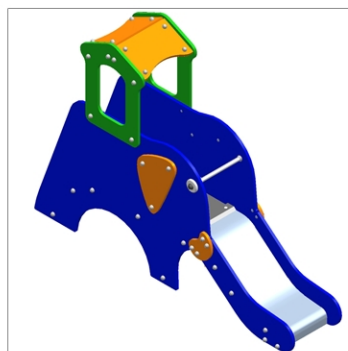


PLA007

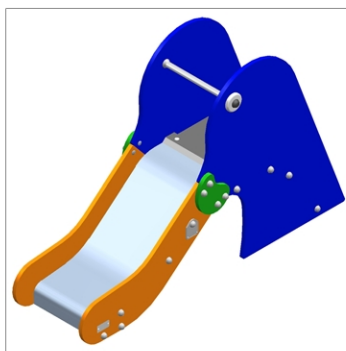
# COMIC



PLA008



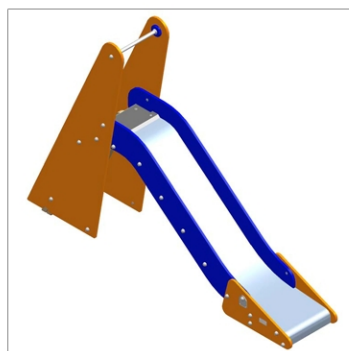
T10A



T10B



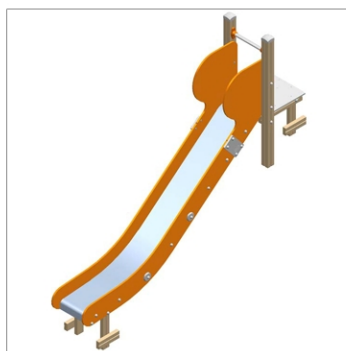
T11



T13



T20D



T30C



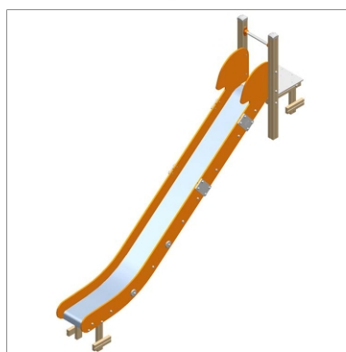
T30D



T40D



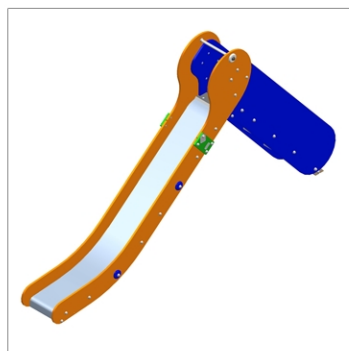
T31C



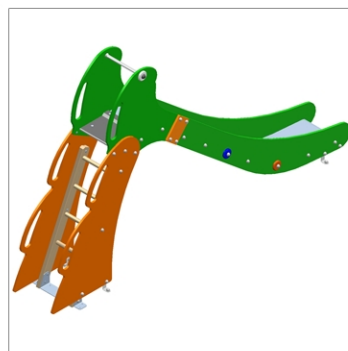
T40C



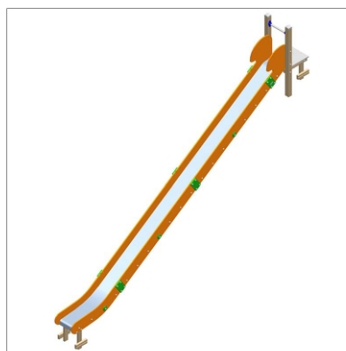
T41D



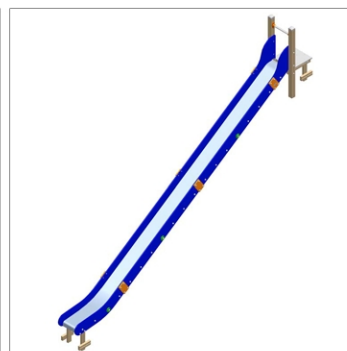
T50A



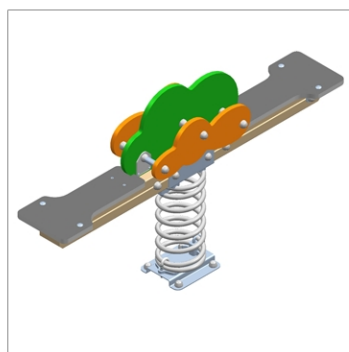
T51A



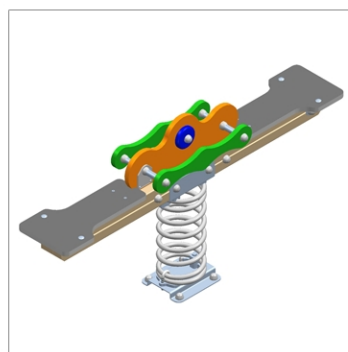
T70B



T71C



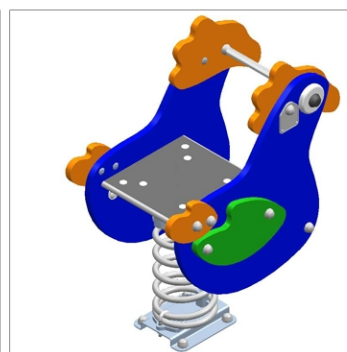
U110A



U100A

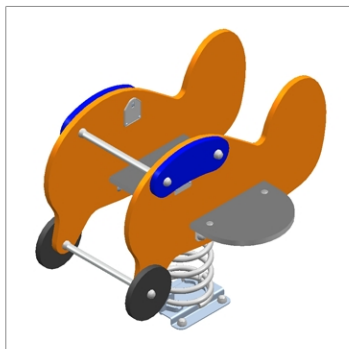


TP01

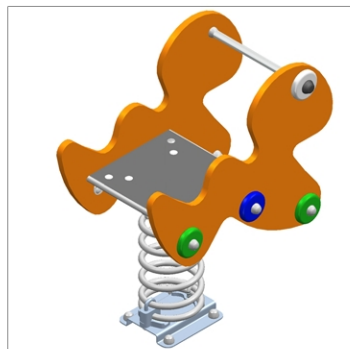


U80A

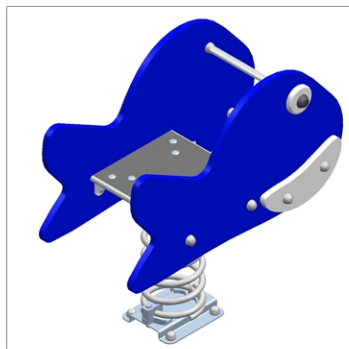
# COMIC



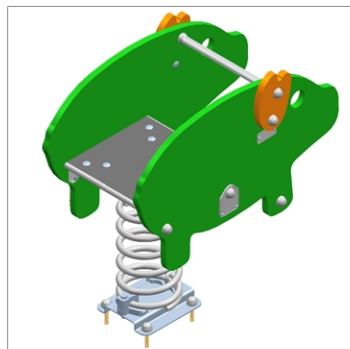
U10A



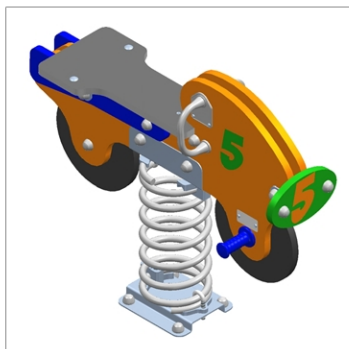
U20A



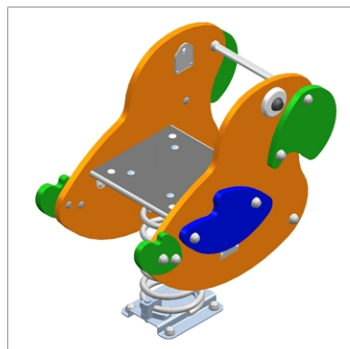
U30A



U60A



U40A



U50A



L10A-IN



L10A-IN-i



L10



L10A-M-IN



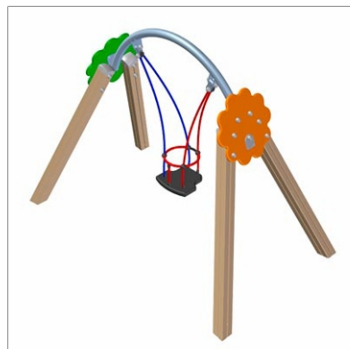
L10i



L10M



L10S-IN



L11



T70B

